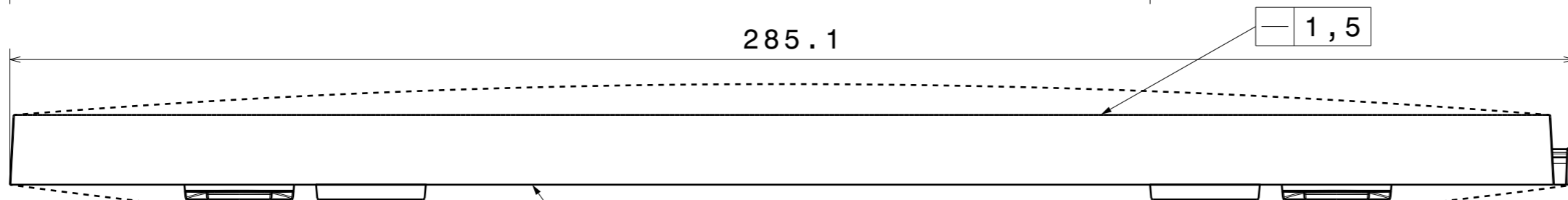
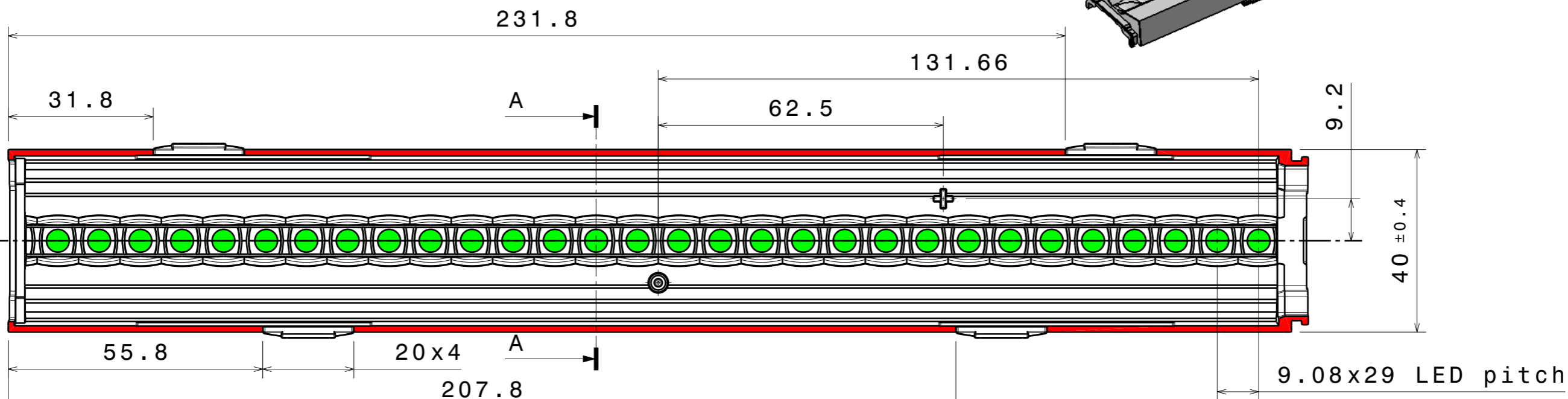
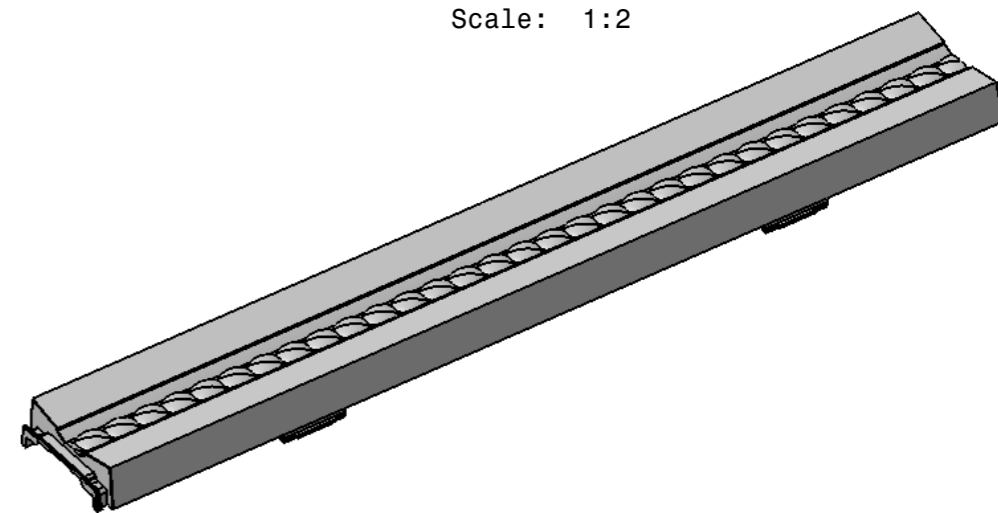
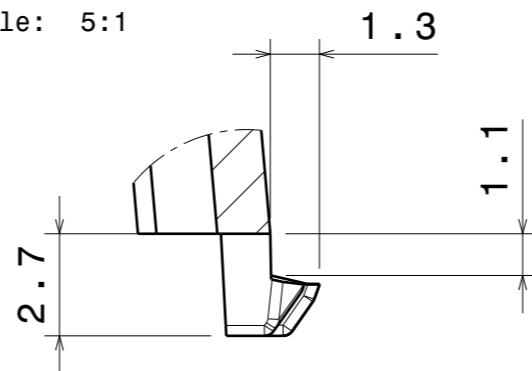
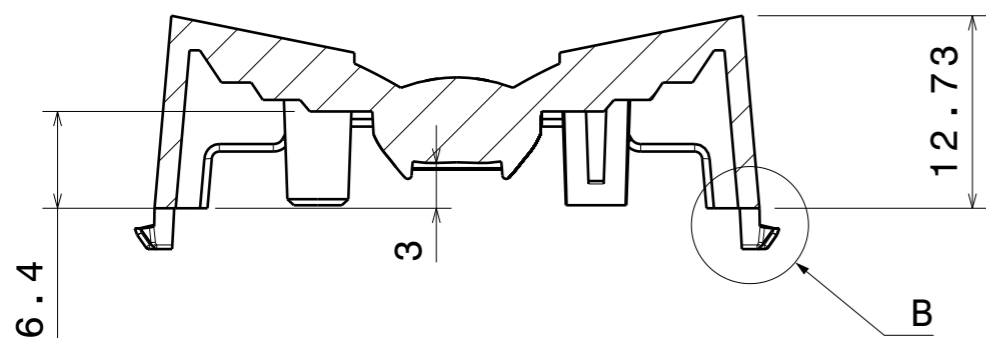


Section view A-A
Scale: 2:1

Detail B
Scale: 5:1

Isometric view
Scale: 1:2



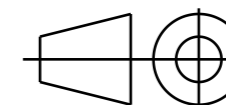
PART	TYPE	MATERIAL	COLOR / COATING
F16603_LINNEA-GC-0	LENS	PMMA	CLEAR

MECHANICAL DRAWING

PRODUCT
LINNEA

Plastic moulding general tolerances according to DIN 16901-130 and applies if not otherwise shown in the drawing. Silicone moulding general tolerances according to ISO 3302-1 Class M3 and applies if not otherwise shown in the drawing.

FIRST ANGLE PROJECTION:



SCALE 1:1

WEIGHT 54 g

LEDiL®

This drawing is the property of LEDiL Oy. It may not be copied or otherwise distributed without prior written permission from LEDiL Oy.

A3 SHEET 1/2

Notes

- PCB or heatsink level.
- LED location
- Ensure LED fitting from a product specific 3D model available from www.ledil.com
- For more details about installation please see LEDiL Installation Guide on www.ledil.com

4

4

3

3

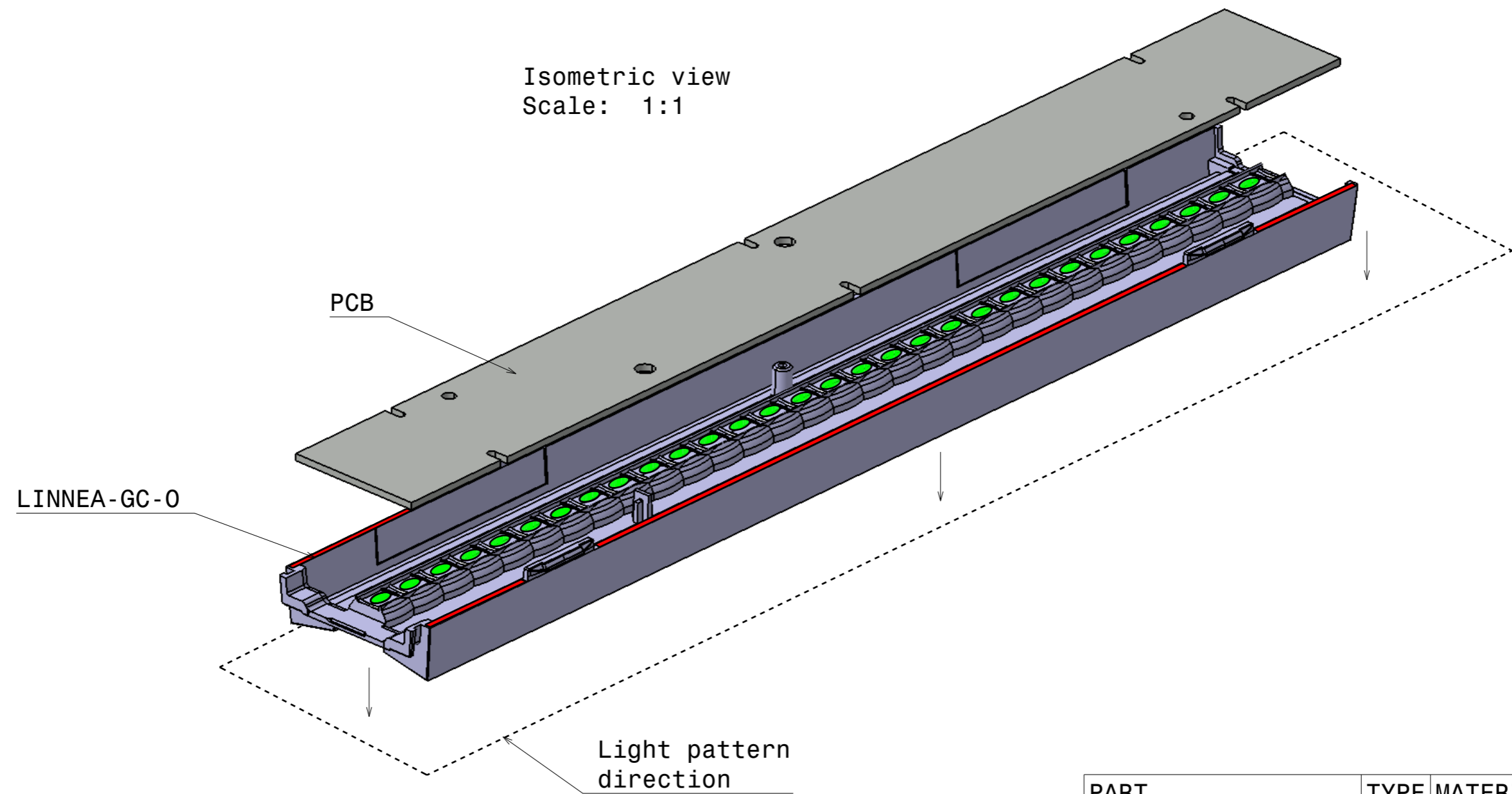
2

2

1

1

Isometric view
Scale: 1:1



PART	TYPE	MATERIAL	COLOR / COATING
F16603_LINNEA-GC-0	LENS	PMMA	CLEAR

MECHANICAL DRAWING		LEDiL[®]
PRODUCT LINNEA		
Plastic moulding general tolerances according to DIN 16901-130 and applies if not otherwise shown in the drawing. Silicone moulding general tolerances according to ISO 3302-1 Class M3 and applies if not otherwise shown in the drawing.	FIRST ANGLE PROJECTION: 	This drawing is the property of LEDiL Oy. It may not be copied or otherwise distributed without prior written permission from LEDiL Oy.
SCALE 1:1	WEIGHT 54 g	
		A3 SHEET 2/2

Notes

	PCB or heatsink level.
	LED location
Ensure LED fitting from a product specific 3D model available from www.ledil.com	
For more details about installation please see LEDiL Installation Guide on www.ledil.com	